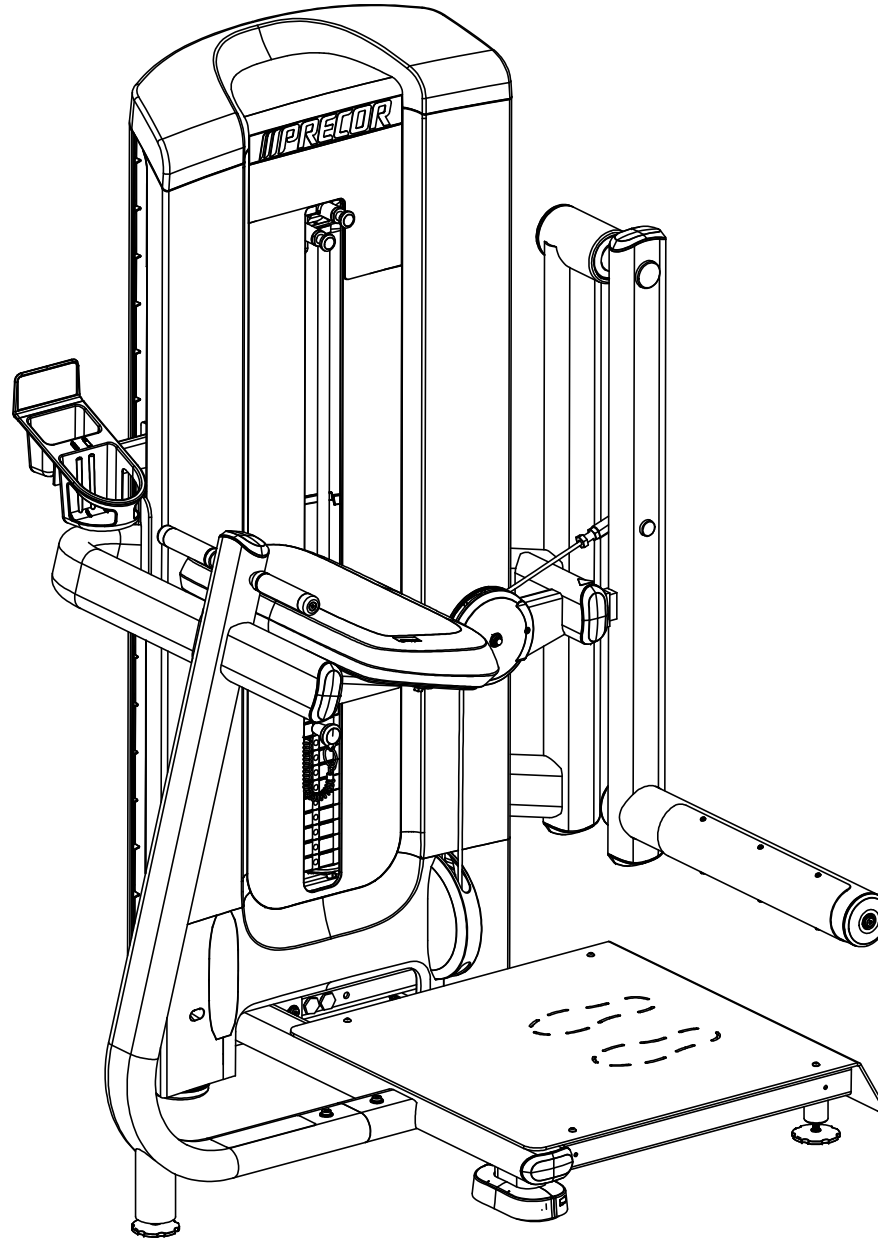


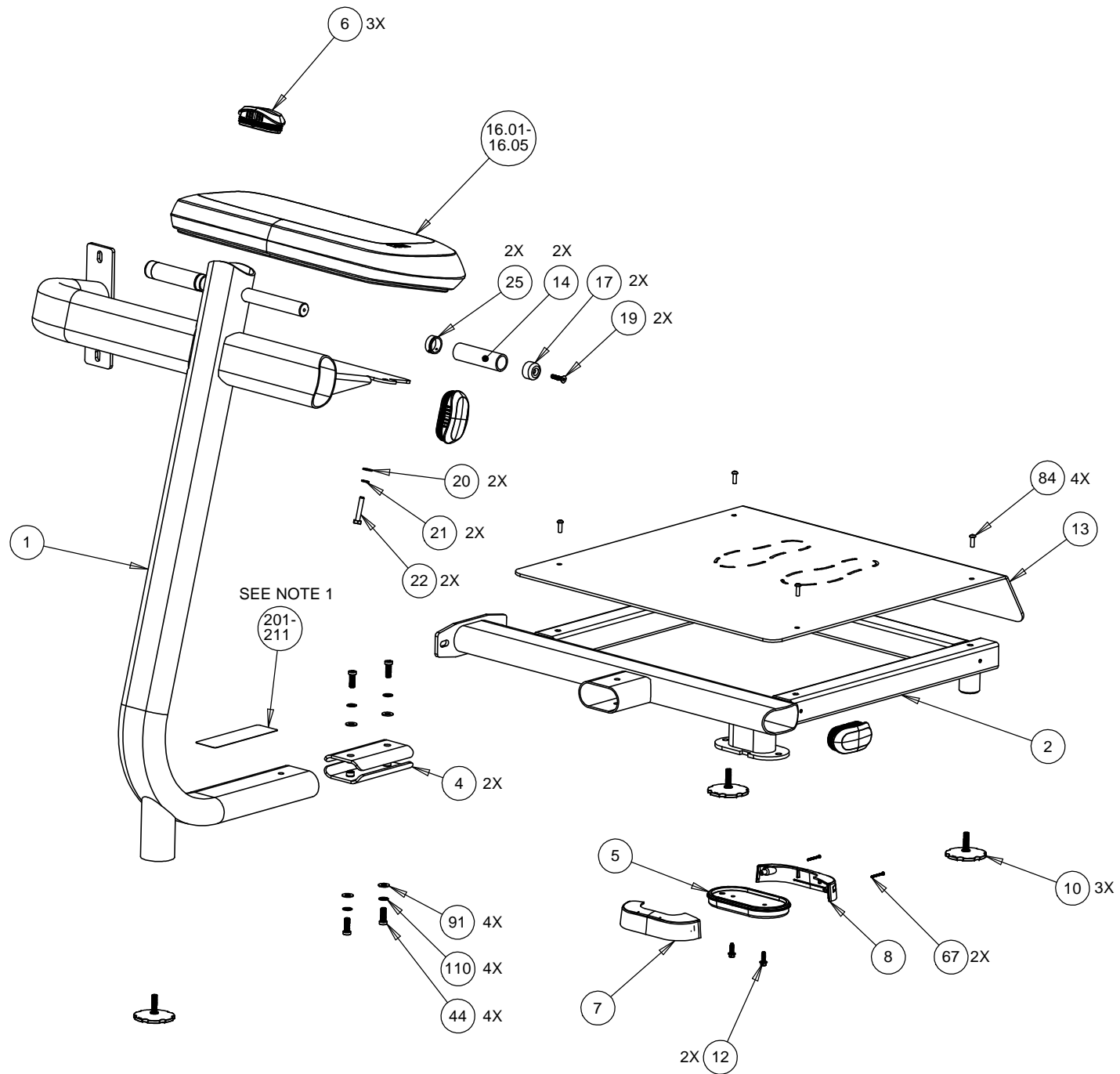
NOTES:

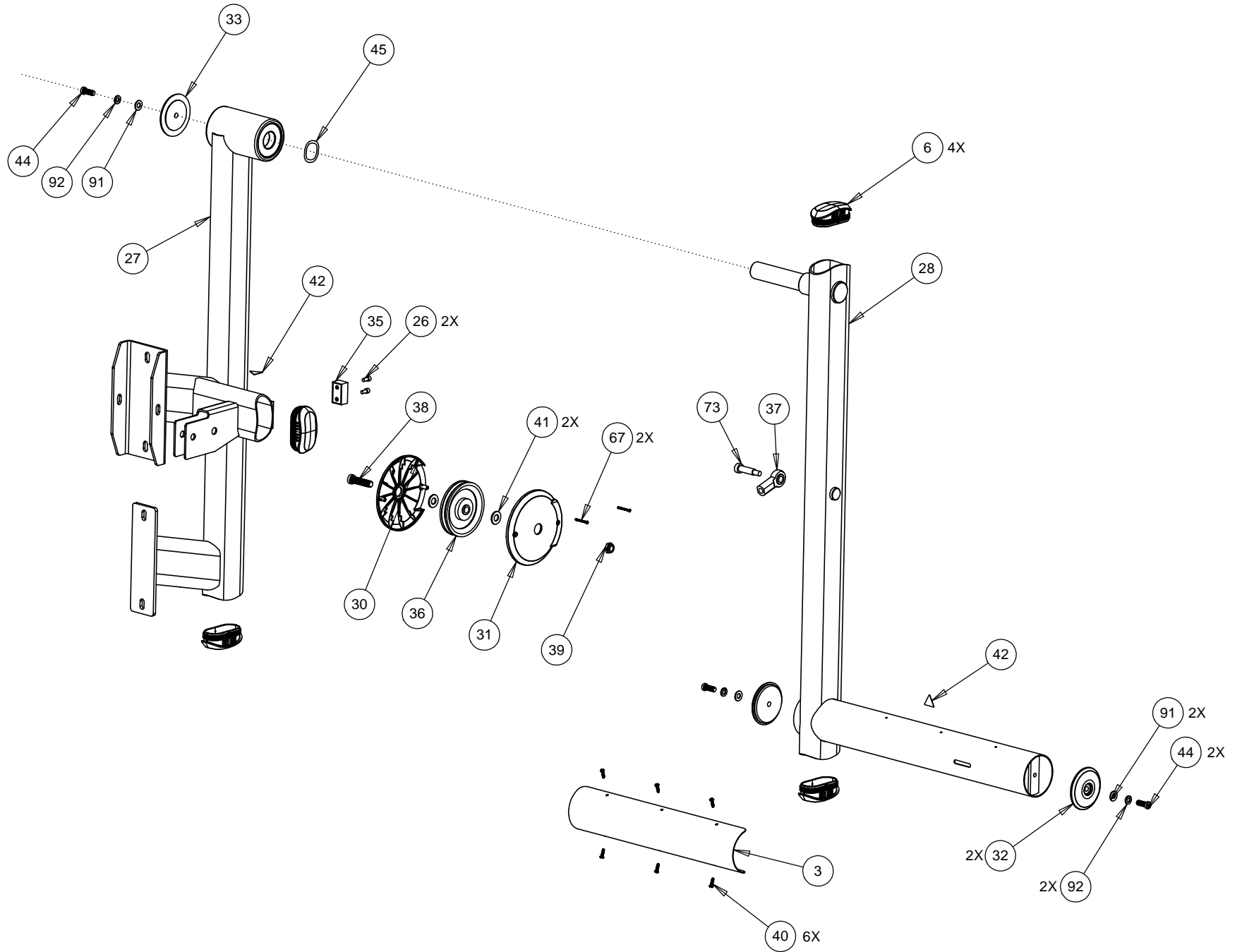
1. THIS LABEL IS FURNISHED AS PART OF A LABEL KIT. ORDER REPLACEMENT LABEL KITS AS FOLLOWS:

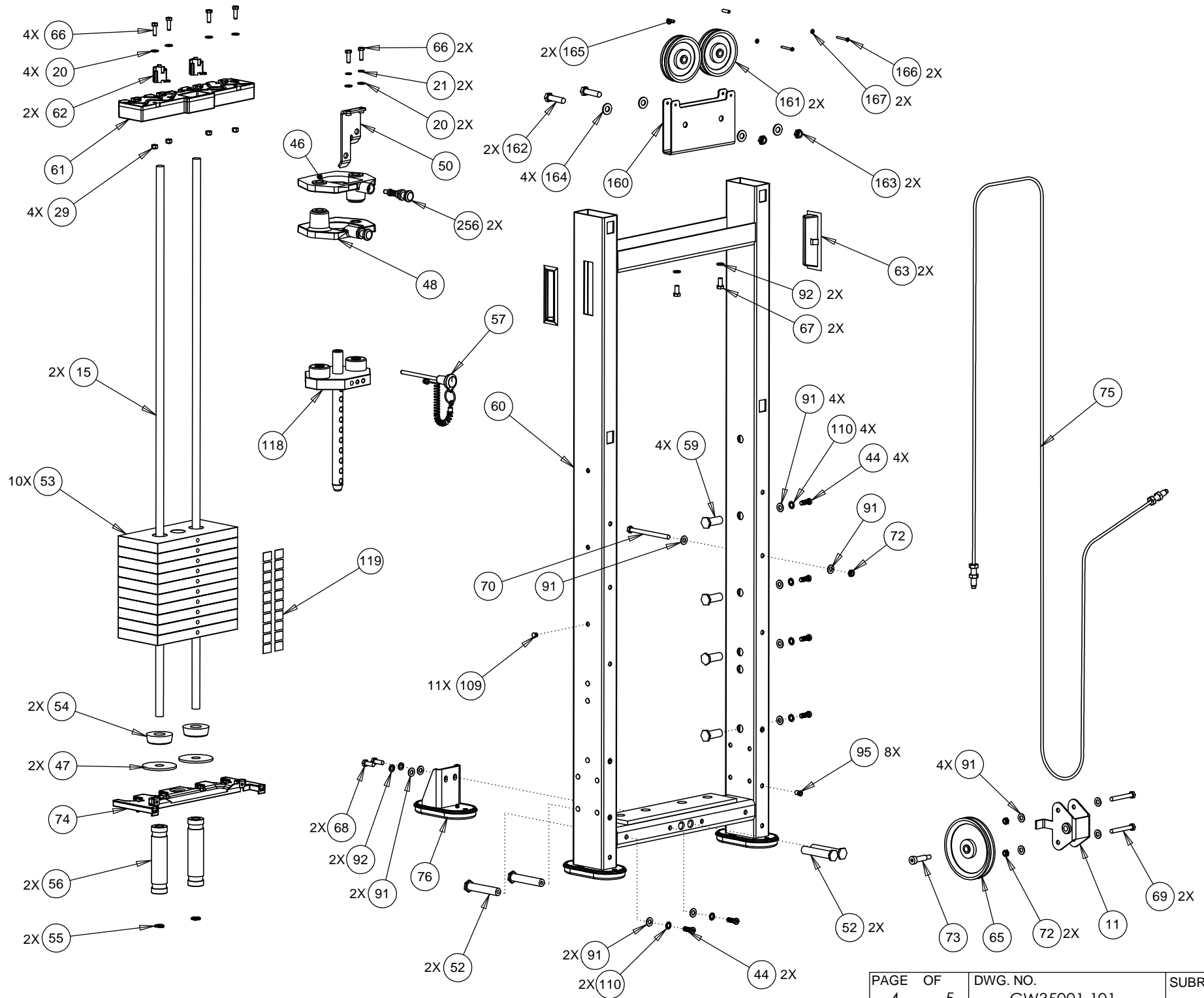
ENGLISH - BUBBLE #201  
CHINESE - BUBBLE #202  
FRENCH - BUBBLE #203  
GERMAN - BUBBLE #204  
JAPANESE - BUBBLE #205  
SPANISH - BUBBLE #206  
DUTCH - BUBBLE #207  
PORTUGUESE - BUBBLE #208  
RUSSIAN - BUBBLE #209  
HEBREW - BUBBLE # 210  
ITALIAN - BUBBLE #211



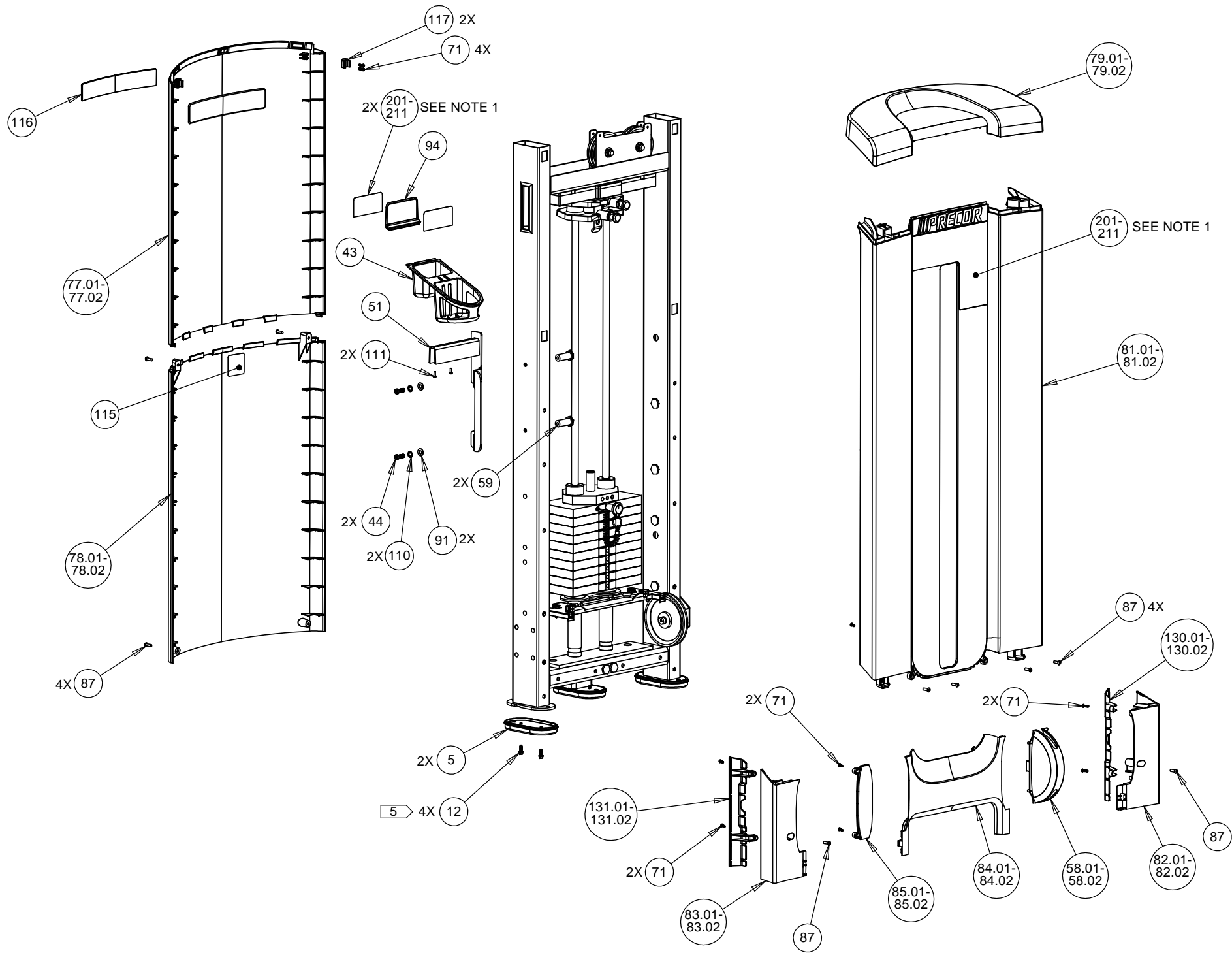
C618EC - GLUTE	P/N : CW35001-101	SUBREV : E
DRAWN BY : MAH	DATE : 04.12.11	SHEET 1 OF 5











### C618EC, Glute, C-Line

Part Number	Description	Bubble Number
CW50258-101	ASSEMBLY, FRONT FRAME, GLUTE	1
CW34734-102	WLDMT, BASE FRAME, GLUTE	2
CW34403-102	FORMED SHEET,16GA (.060),TRACTION P	3
CW33880-101	FORMED,PLATE, .19 THICK,DOUBLE-D CO	4
CW33996-101	DOUBLE D TUBE END CAP	6
CW34061-101	FOOT COVER FRONT, 90 DEGREES	7
CW34061-102	FOOT COVER BACK, 90 DEGREES	8
CWAAHN134-006	RETAINING RING, EXTERNAL, 34MM(1.33	9
CW39916-103	FOOT, ADJUSTING, NO LOGO	10
CW33773-101	WLDMT, WS BASE PULLEY	11
CWPLCN025-075	SLOTTED, HEX, WASHER, HEAD, 1/4-20	12
CW34729-103	FORMED SHEET,3/16,FOOT PLATE,GLUTE	13
CWGR4604-250	GRIP, RUBBER, 1.00" OD HANDLE, 4.25	14
CW33994-101	BAR, .750 DIA, SHORT GUIDE ROD	15
CWPD4000-101	ELBOW PAD, RENOVO, BLACK	16.01
CWPD4000-114	ELBOW PAD, RENOVO, CUSTOM	16.02
CWPD4000-118	ELBOW PAD, RENOVO,IMP BLUE	16.03
CWPD4000-122	ELBOW PAD, RENOVO,PAPRIKA	16.04
CWPD4000-131	ELBOW PAD, RENOVO, MAHOGANY	16.05
CW34091-101	HANDLE END CAP, ALUM,	17
CWMACMN025-100	SCREW, FLT HEAD, SOCKET, MECH CLR Z	19
CWWBCN031-007	WASHER, FLAT, TYPE A, SAE, 5/16 ID	20
CWWALCN031-008	WASHER, SPLIT, 5/16 ID, ZN	21
CWCAMN025-050	SCREW,SKHD,1/4-20 X .50, ZN,(MECH P	26
CW50257-101	ASSEMBLY, PIVOT, GLUTE	27
CW34733-101	WLDMT, ARM, GLUTE	28
CWKACN031-016	LOCKNUT,HALF, 5/16-18,ZN	29
CW33997-108	4.5" PULLEY COVER, BRKT MOUNT, FRON	30
CW33997-111	4.5" PULLEY COVER, BRKT MOUNT, BACK	31
CW49768-101	1 X 1.75 X 0.75 BUMPER WITH STEEL B	35
CWAC1009-101	PULLEY, 4 1/2 DIA X 1/2 ID	36
CWEANN016-013	SCREW, SET, SCKT, CUP POINT, 8-32 X	36
CWCLFA1064-741	ROD END, FEMALE, STEEL, ZINC, CAD,	37
CWCPMN050-200	SCREW, SOCKET LOW HEAD, MECH CLR ZI	38
CWKACN050-031	LOCKNUT,HALF, 1/2-13, ZN	39
CWWBCN050-010	WASHER, FLAT, TYPE A, NARROW, 1/2 I	41
CW34758-102	LABEL,PINCH POINT WARNING, RENOVO,	42
CW34787-101	WATER BOTTLE HOLDER, WEIGHT STACK	43
CWCPMN038-100	SCREW, SCKT LW HD, MCH CLR ZI,3/8-1	44
CWWAHNN140-002	WASHER,WAVE, 1.40 ID, 1.82 OD, .02	45
CW33894-101	WASHER, BUMPER BACKING	47
CW33966-102	ASSEMBLY, CAST DROP DOWN,BOTTOM	48
CW33967-102	PLATE, .19 THICK, DRP DW WT MNT	50
CW34402-101	WLDMT, WATER BOTTLE HOLDER, GLUTE	51
CW33991-101	WEIGHT TOWER BOLT ON, LONG	52
CW34292-101	ASSEMBLY, WEIGHT PLATE, RECTANGULAR	53
CW12402-101	BUMPER, ID 1.050, BLK RUBBER	54
CW12651-101	WAVE SPRING, .85 OD X .66 ID X .17	55

CW33633-101	BAR, 1.50 DIA, WEIGHT STACK RISER	56
<b>CW33870-104</b>	ASSEMBLY, 5" WEIGHT STACK PIN & LEA	57
CW34012-103	PULLEY COVER, 6 INCH, SILVER GRAY	58.01
CW34012-104	PULLEY COVER, 6 INCH, AMAZON STONE	58.02
CW33991-102	WEIGHT TOWER BOLT ON, SHORT	59
CW33767-103	WLDMT, WEIGHT TOWER, SHORT,PTD	60
CW34014-101	UPPER GUIDE ROD SUPPORT	61
CW34015-101	UPPER GUIDE ROD LOCK	62
<b>CWAC1010-101</b>	PULLEY, 6 DIA X 1/2 ID	65
<b>CWHCCN031-100</b>	SCREW, HEX, GR 5, 5/16-18 X 1.0, ZN	66
<b>CW34067-101</b>	PLASTIC RECESSED HANDLE	67
CWPMTN016-125	SCREW, SELF TAPPING,#8 X 1 1/4 PHIL	67
CWHCCN038-100	SCREW, HEX, CLR ZINC, 3/8-16 X 1.00	68
<b>CWHCCN038-275</b>	SCREW, HEX, CLR. ZINC, 3/8-16 X 2 3	69
CWHCCN038-500	SCREW, HEX, CLR. ZINC, 3/8-16 X 5.0	70
CWPMTN016-063	SCREW, SELF TAPPING,#8 X 5/8 PHIL,	71
CWKACN038-027	LOCKNUT,HALF, 3/8-16, ZN	72
CWRANN038-150	BOLT, SHOULDER, 3/8-16 X 1/2 X 1 1/	73
CW34367-101	LOWER COVER SUPPORT ASSY	74
<b>CWCLPP141-500</b>	ASSY, CABLE, GLUTE, RENOVO	75
CW34380-101	ASSY, STABILITY FOOT	76
CW34072-101	ASSY, BACK TOP SHROUD, SHORT, PACIF	77.01
CW34072-102	ASSY, BACK TOP SHROUD, SHORT, DARK	77.02
CW34375-101	ASSY,COVER, BACK, LOWER, SHORT, PAC	78.01
CW34375-102	ASSY,COVER, BACK, LOWER, SHORT, DAR	78.02
<b>CW33947-103</b>	COVER, TOP	79.01
CW33947-104	COVER, TOP, AMAZON STONE	79.02
CW34005-103	ASSY, WINDOW BASE SHROUD, SHORT, SI	81.01
CW34005-104	ASSY, WINDOW BASE SHROUD, SHORT, AM	81.02
CW34343-101	CORNER COVER ASSY, LEFT, SILVER GRA	82.01
CW34343-103	CORNER COVER ASSY, LEFT, AMAZON STO	82.02
CW34343-102	CORNER COVER ASSY, RIGHT, SILVER GR	83.01
CW34343-104	CORNER COVER ASSY, RIGHT, AMAZON ST	83.02
CW33945-101	COVER, CENTER	84.01
<b>CW33945-102</b>	COVER, CENTER, AMAZON STONE	84.02
CW34013-101	PLUG, PULLEY, SILVER GRAY	85.01
<b>CW34013-102</b>	PLUG, PULLEY, AMAZON STONE	85.02
<b>CWTATN025-075</b>	SCREW, BUTTON HEAD, SHARPERIZED BLK	87
CWWBCN038-007	WASHER, FLAT, TYPE A, 3/8 ID X 13/1	91
<b>CWWALCN038-009</b>	WASHER, SPLIT, 3/8 ID, CLR ZINC	92
CW34788-101	LABEL PLACARD, WATER BOTTLE, WEIGHT	94
<b>CW12112-101</b>	RIVNUT,INSERT,HEX,1/4-20	95
CW11095-107	CAP, PLASTIC, HEYCO, DOME PLUG, 0.3	109
CWWATCN038-032	WASHER, LK, INT. TOOTH, .375	110
CWMGCN016-050	SCREW, MCH, 8-32 X 1/2, PANHD, PHIL	111
CW34373-101	LABEL,CABLE BOLT WARNING STRENGTH,	115
CW34073-102	PRECOR BADGE, BACK	116
CW34074-101	REAR COVER SNAP	117
CW34295-101	ASSEMBLY, TOP PLATE, 170 LBS RECTAN	118
CW50267-101	KIT, WEIGHT STACK LABELS, 170 LB	119
CW34341-101	BOTTOM, EDGE COVER, RAIL, LEFT, SIL	130.01

CW34341-103	BOTTOM, EDGE COVER, RAIL, LEFT, AMA	130.02
CW34341-102	BOTTOM, EDGE COVER, RAIL, RIGHT, SI	131.01
CW34341-104	BOTTOM, EDGE COVER, RAIL, RIGHT, AM	131.02
CW35978-101	DBL PULLY BRKT,FORMED PLATE,10GA(.1	160
<b>CWAC1009-101</b>	PULLEY, 4 1/2 DIA X 1/2 ID	161
CWHCCN050-200	SCREW, HEX HEAD,ZN, 1/2-13 X 2.0	162
CWKACN050-031	LOCKNUT,HALF, 1/2-13, ZN	163
<b>CWWBCN050-010</b>	WASHER, FLAT, TYPE A, NARROW, 1/2 I	164
CW35980-101	SPACER, ALU,.166 ID X .25 OD X .875	165
CWMGCN016-150	SCREW,MCH,8-32X1-1/2,PANHD,	166
CWWAMCN016-020	WASHER, LOCK, EXT TOOTH, #8	167
CW50271-101	KIT, DROP DOWN WEIGHTS.	250
<b>CW50288-101</b>	KIT, POP PIN, DROP DOWN WEIGHT	256
CW35145-101	CUT PIECE CREPE, .06" THICK	257
CW11095-111	CAP, PLASTIC, HEYCO, PRY OUT PLUG,	265